



## Puretec Hybrid H7

Filtration and Ultraviolet all in one unit

Enjoy the peace of mind of safe, purified water at every outlet in the house. The Puretec Hybrid H7 system is highly effective and efficient in reducing taste, odour, chemicals and sediment in your water, giving good general purpose filtration. This system eliminates 99.9% bacteria in your water.

Rain direct from the heavens is pure, clean and delicious. But the moment you store in a rainwater tank, it becomes a target for dangerous bacteria. And the last thing you'll want to do is drink it, no matter how much rainwater you collect, you're taking a risk if you connect your tank to your home's taps.

These systems are designed for both mains and rainwater supplies.

### Features and Benefits

- Turns your tank and mains water into pure, safe, delicious drinking water
- Kills 99.9% of bacteria with Radfire™ ultraviolet technology, a natural purification process that's completely eco-friendly and chemical-free
- Heavy duty stainless steel construction is durable and low maintenance
- 1" connections, 75 litres/minute
- Quick and easy plug-and-play installation
- Double O-ring filter housings
- Weather protection
- Lamp count-down timer and failure alarm (audible & visible)
- Anti-tamper & childproof lockable lid
- Hinged lid for easy access for lamp change
- 3 year warranty



# Hybrid H7

Rain direct from the heavens is pure, clean and delicious. But the moment you store in a rainwater tank, it becomes a target for dangerous bacteria. And the last thing you'll want to do is drink it, no matter how much rainwater you collect, you're taking a risk if you connect your tank to your home's taps.

Unless you have a filter that kills the bacteria...

## THE HYBRID H7 KILLS 99.9% OF BACTERIA

Thanks to its advanced UV technology – called Radfire™ – the Hybrid H7 kills 99.9% of tank water bacteria. Nothing else even comes close. Radfire™ is a natural water purification process, that's ecofriendly and completely chemical free. So you get safe, purified water at every outlet in the house.

## IT FILTERS YOUR WATER TOO

As its name suggests, the Hybrid combines two technologies to clean your water. As well as killing 99.9% of bacteria with UV rays, it filters out chemicals, X and Y, as well as sediments and anything else that manages to pass through your rainwater tank's coarser filter.

## LONG-LIFE FILTERS & BUILT TO LAST

Naturally, Puretec's Hybrid H7 is built to last, with a heavy-duty stainless steel construction and double O-rings, for years of trouble-free service. Its filter cartridges are built to last too. Their long-life technology allows you to go longer between filter replacements. And in the unlikely event that you ever have problems, you have the peace of mind of a 3 Year Platinum Protection Warranty^.

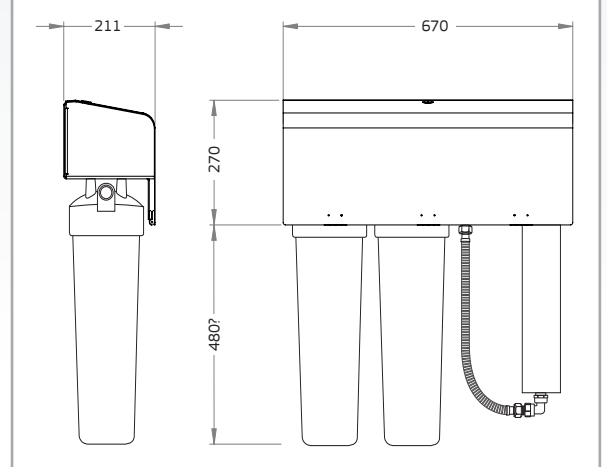


## SPECIFICATIONS

Models:	Puretec Hybrid H7
<b>Replacement Parts:</b>	
Sediment Cartridge	PL05MP2
Taste & Odour Removal	DP10MP2
Lamp	1 x RL10K
Flow rate:	75 Lpm
Max Temp:	52°C*
Max Pressure:	875 kPa
Connection:	1" BSP [25mm]
Warranty:	3 years^

*Important Note: Use only genuine Puretec replacement cartridges. ^3 Year Platinum Protection applies to Puretec Systems when used in conjunction with a Puretec filter cartridge. Warranty excludes cartridges.*

## DIMENSIONS



Puretec water care products are designed, manufactured and supported by Puretec Pty Ltd the name you can trust for viable and proven water solutions. The complete range of Puretec products are developed, refined, made to meet and exceed stringent specifications for the worldwide market. All pictures and information are supplied as a guide only.

Important Note: Sales of products are subject to our Terms and Conditions which are available upon request. All specifications, information and photos are a guide only and are subject to change without notice. Please ring to confirm details. Warning: For correct operation of this appliance it is essential to observe manufacturer's instructions. Caution: Do not use with microbiologically unsafe water or water of unknown quality without adequate disinfection before or after the system. Under normal circumstances a pressure limiting valve is not required. However, if incoming water pressure exceeds 875 kPa, a pressure limiting valve must be fitted prior to inlet. Copyright © Puretec Pty Ltd 2014