

DEPEND ON  
**DAVEY**

WATER PRODUCTS



## **EASY CLEAR**<sup>®</sup>

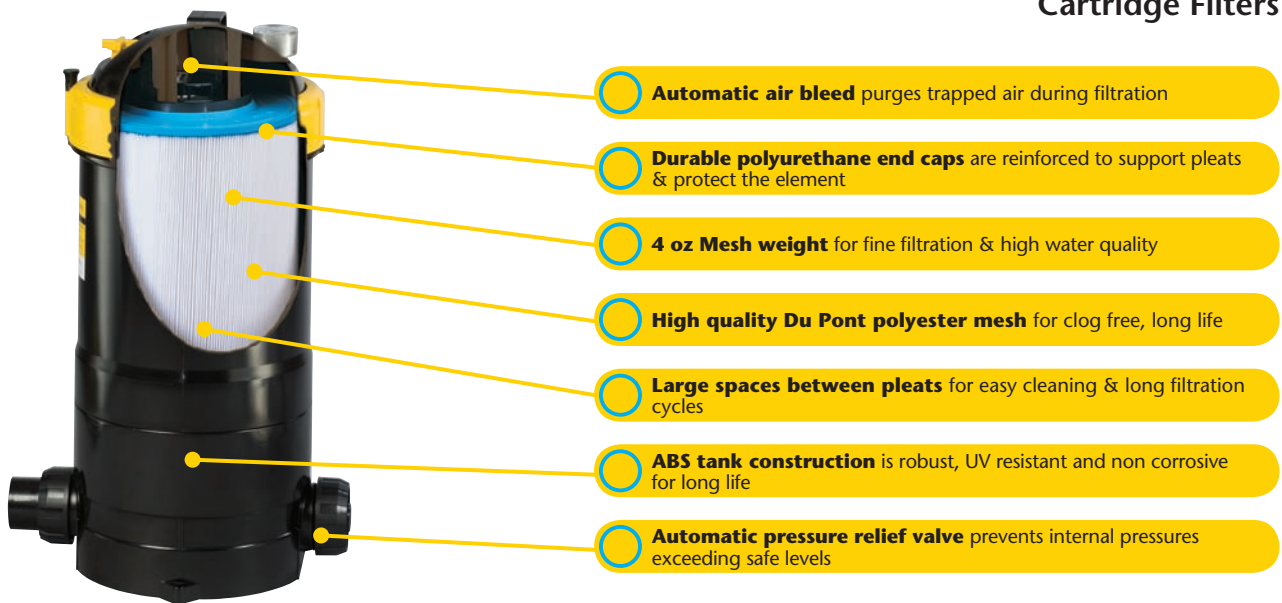
### Cartridge Filters

The Easy Clear<sup>®</sup> range has been specifically designed for the water-conscious filtration of water in swimming pools and spa pools.

- The filter lid is retained by a lock ring which enables easy access for element cleaning.
- A.B.S. tank construction is robust, UV resistant and non corrosive for long life.
- Low profile design means elements are easier to lift out for cleaning and require less height for installation.
- The element is constructed of Du Pont Reemay which is recognised for its excellent filtration and long life.
- A quality pressure gauge makes it easy to see when element cleaning is required.
- An automatic air bleed prevents air from building up in the tank while the pump is running.
- A manual air bleed enables the filter to be de-pressurised before opening for cleaning.
- A choice of two inlet ports enables the inlet plumbing to be installed at either 90 or 180° to the outlet for greater flexibility in installation.
- A.B.S. Barrel unions are supplied to make installation simple.
- An automatic tank bypass valve prevents pressure exceeding safe levels.



For your local Davey dealer visit: [davey.com.au](http://davey.com.au)



### OPERATING PERFORMANCE & MEDIA REQUIRED

Type	Max. Flow Rate (lpm)	6 Hour Turnover (litres)	8 Hour Turnover (litres)
EC 500	205	73,800	98,400
EC 750	270	97,200	129,600
EC 1000	340	122,400	163,200
EC 1500	450	162,000	216,000
EC 1750	540	194,400	259,200
EC 2250	670	241,200	321,600

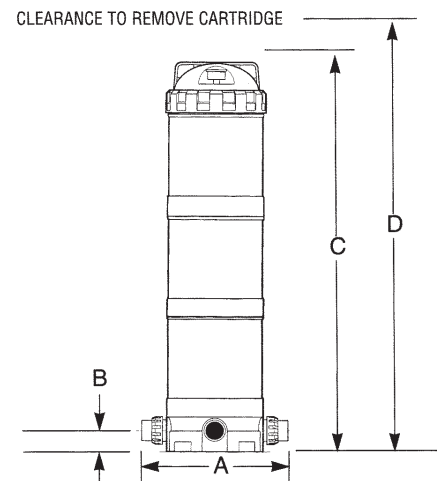
### OPERATING LIMITS

Maximum Water Temperature	45°C
Maximum Operating Pressure	280kPa

### MODEL NUMBER IDENTIFICATION

<b>EC</b>	<b>500</b>
EC = Easy Clear®	500 = 50 square feet

### DIMENSIONS



Type	A	B	C	D	Inlet PVC	Outlet PVC
EC 500	410	60	540	875	40/50*	40/50*
EC 750			540	875		
EC 1000			635	1000		
EC 1500			820	1360		
EC 1750			905	1550		
EC 2250			1110	1950		

All dimensions in mm unless otherwise stated.

\*40/50mm tail on unions allow connection of a DN40 PVC pipe or into the socket/collar of a DN50 PVC pipe.

DEPEND ON  
**DAVEY**

WATER PRODUCTS

### Davey Water Products Pty Ltd

Member of the GUD Group  
ABN 18 066 327 517

**AUSTRALIA**  
Head Office and Manufacturing  
6 Lakeview Drive,  
Scoresby, Australia 3179  
Ph: +61 3 9730 9222  
Fax: +61 3 9753 4100  
Website: davey.com.au

**Customer Service Centre**  
Ph: 1300 369 100  
Fax: 1300 369 119  
E-mail: sales@davey.com.au

**NEW ZEALAND**  
7 Rockridge Avenue,  
Penrose, Auckland 1061  
Ph: +64 9 570 9135  
Fax: +64 9 527 7654  
E-mail: sales@daveynz.co.nz  
Website: daveynz.co.nz

**Customer Service Centre**  
Ph: 0800 654 333

**REST OF WORLD**  
6 Lakeview Drive,  
Scoresby, Australia 3179  
Ph: +61 3 9730 9121  
Fax: +61 3 9753 4248  
E-mail: export@davey.com.au  
Website: davey.com.au

