

## SPA BOOSTER PUMP QB SERIES



### Features & Benefits

#### **Powerful Pump Performance**

Robust pump design combined with powerful motor options delivers high performance, for a satisfying spa experience.

#### **Stainless Steel Pump Shaft**

Corrosion resistant 316SS pump shaft to ensure years of trouble-free use, even in salt water spa pool applications, for an extended pump life.

#### **Energy Efficient**

Single and two speed models available to help conserve energy during filtration cycles.

#### **Flexible Installation**

Pump housing can be turned 180° for easy installation of pipework, horizontal or vertical.

#### **Plug Options**

AMP plugs and C38 plugs available as standard.

#### **Quiet**

Large suction and discharge outlets allow for higher performance but at lower noise levels, ensuring a powerful yet relaxing spa experience.

#### **Enhanced Pump Design**

Shielded yoke design helps protect the motor from any adverse leaking from the wet end whilst still meeting all industry safety standards.

Option of single or two speed models offers lower running costs during filtration cycles.

High quality and heavy duty construction for long service life.

Corrosion resistant 316SS pump shaft, a great performer even in salt water applications for an extended pump life.

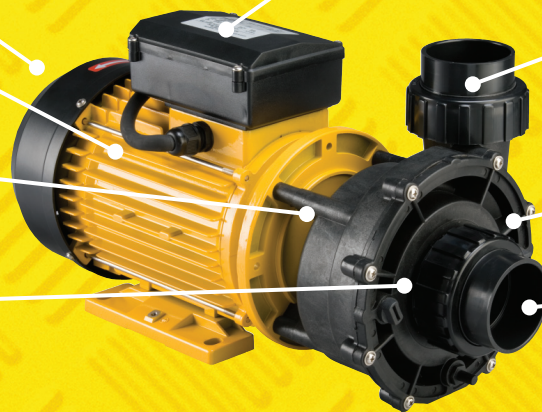
Three drainage points enable easy drainage & clearing of air locks.

Metal jacket capacitor installed for greater dependability & long service life.

Horizontal or vertical discharge options for flexibility in installation with optional mounting pads to raise the pump height & to further reduce vibration & pump noise.

Powerful pump performance and robust design. Shielded yoke offers protection from adverse leaking from the wet end.

Large suction and discharge outlets offer high performance at lower noise levels.



### ELECTRICAL DATA

Models	QB2001	QB2002 SP1/SP2	QB2501	QB2502 SP1/SP2	QB3001	QB3002 SP1/SP2
Speed	Single	Two	Single	Two	Single	Two
Voltage	220 - 240					
Phase	Single					
Supply Frequency	50Hz					
Start Current (A)	24	14 / 22	34	19 / 34	42	19 / 38
Run Current (A)	7	2.4 / 7	8.6	2.8 / 8.6	10	3.2 / 10
Motor Input Power	1500	350/1500	1850	400/1850	2200	450/2200
Motor Output Power	1100	180/1100	1500	220/1500	1700	250/1700
RPM	2900	1450/2900	2900	1450/2900	2900	1450/2900
Enclosure Class	IP55					
Insulation Class	F					
Approval No.	A/10EA					
Lead Length	3 metres					

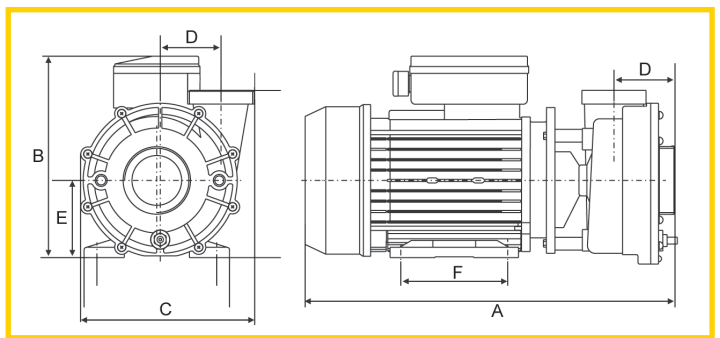
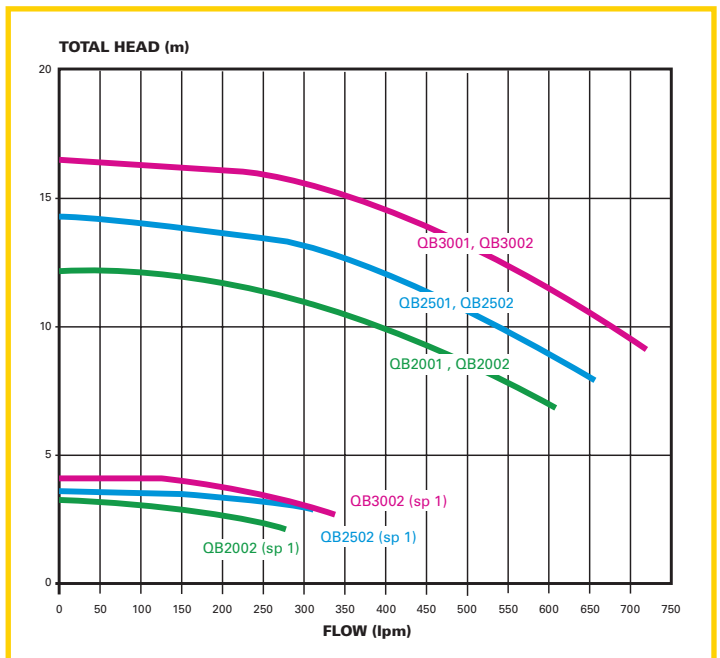
### OPERATING LIMITS

Model	QB2001	QB2002	QB2501	QB2502	QB3001	QB3002
Max. Water Temperature	50°C					
Max. Ambient Temperature	50°C					
dBa	72	55/72	72	55/72	75	55/75

### DIMENSIONS (mm)

Model	A	B	C	D	E	F	Mounting Holes Dia (mm)	Inlet PVC	Outlet PVC	Weight (kg)
QB2001										13.5
QB2501	414	235	202	71	90	125	10	50mm	50mm	14.6
QB3001										15.7
QB2002										14.7
QB2502	431	235	202	71	90	125	10	50mm	50mm	15.9
QB3002										17

### HYDRAULIC PERFORMANCE



DEPEND ON  
**DAVEY**

SPA

### Davey Water Products Pty Ltd

Member of the GUD Group  
ABN 18 066 327 517

#### Head Office and Manufacturing

6 Lakeview Drive,  
Scoresby, Australia 3179  
Ph: +61 3 9730 9222  
Fax: +61 3 9753 4100  
Website: davey.com.au

#### Customer Service Centre

Ph: 1300 2 DAVEY (1300 232 839)  
Fax: 1300 304 850  
E-mail: sales@davey.com.au

#### Interstate Offices

Sydney • Brisbane • Adelaide  
Perth • Townsville

#### International

6 Lakeview Drive,  
Scoresby, Australia 3179  
Ph: +61 3 9730 9121  
Fax: +61 3 9753 4248  
E-mail: export@davey.com.au

#### Davey Water Products – New Zealand

7 Rockridge Avenue,  
Penrose, Auckland 1061  
Ph: +64 9 570 9135  
Fax: +64 9 527 7654  
Website: daveynz.co.nz  
E-mail: sales@daveynz.co.nz

#### Davey Spa – New Zealand

2 Rothwell Avenue,  
North Harbour, Auckland 0632  
Ph: +64 9 415 8622  
Fax: +64 9 415 8621  
Website: spa-quip.co.nz  
E-mail: service@spa-quip.co.nz



#### USA

Website: daveyusa.com  
E-mail: sales@daveyusa.com