



Puretec SSMP Series

MaxiPlus™ Stainless Steel Housing

Puretec SSMP Series stainless steel housings are capable of temperatures up to 99°C at 2,070 kPa and a maximum flow of 90 litres per minute.

They are suitable for the most demanding applications such as high pressure, temperature or corrosive, harsh conditions.

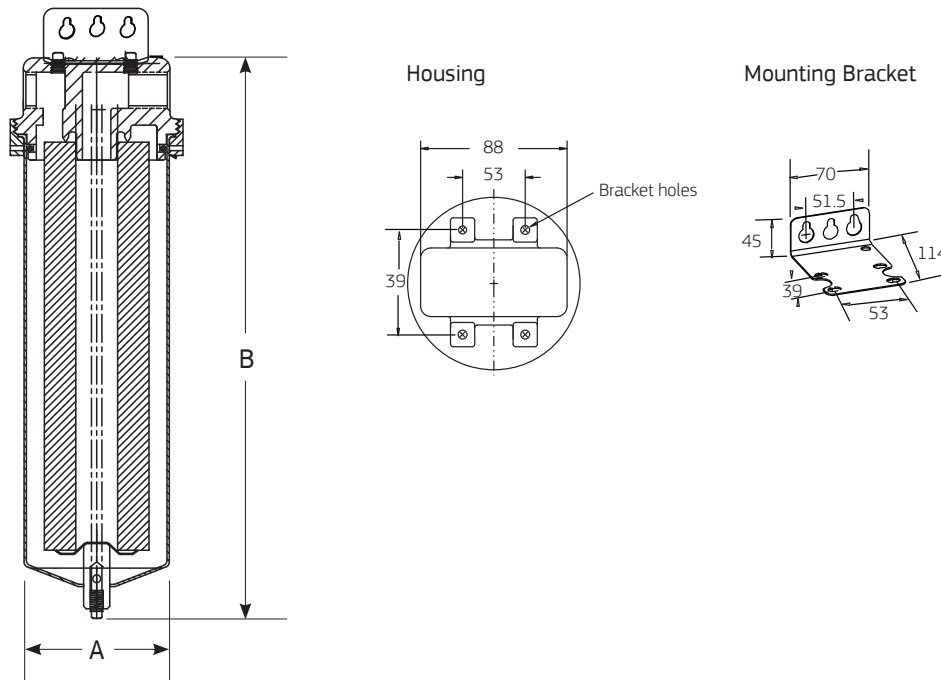
These housings come complete with mounting bracket. Viton O-ring for dependable seal is an option designed for extra chemical resistance.

It is important to note that each housing comes with drain plug for periodic draining and sprung knife edge seal for excellent filtration performance.

Features and Benefits

- Large diameter for high flow rates
- High capacity stainless steel filter housings
- High pressure and temperature applications
- Suitable for harsh and corrosive conditions
- Polished 304 stainless steel construction
- Heavy duty units for large scale commercial/industrial applications

Dimensions



Housing Specifications and Performance Data

Model	Description	Connection Size	Dimensions (mm)		Max. Flow (Lpm)
			A	B	
SS25MP1	304 Stainless Steel Filter Housing	1"	127	408	90
SS40MP2	304 Stainless Steel Filter Housing	1½"	127	666	180

Materials of Construction

- Material: 304 stainless steel
- Standard: NPT/ BSP thread
- Filter Cartridge: Double open end cartridges of any kind
- O-Ring: Buna-N
- Maximum Temperature: 99°C
- Maximum Pressure: 2,070 kPa
- Application: suitable for industry and other relative water treatment

Puretec water care products are designed, manufactured and supported by Puretec Pty Ltd the name you can trust for viable and proven water solutions. All pictures and information are supplied as a guide only. The complete range of Puretec products are developed, refined, made to meet and exceed stringent specifications for the worldwide market. Please ring to confirm details.

Important Note: Sales of products are subject to our Terms and Conditions which are available upon request. Do not use products with microbiologically unsafe water without adequate disinfection. Under normal circumstances a pressure limiting valve is not required. If incoming water pressure is excessive it may however be necessary to install an approved pressure limiting valve to be fitted in line to prevent excessive running on as pressure is relaxed from the system after the tap is turned off. Maximum flow depends on cartridges, vessel, pressure, impurities etc.