



Experts in water.

DAVEY

APPLICATIONS

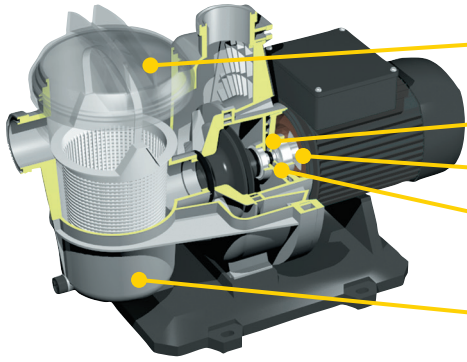
Ideal for most swimming pool applications such as:

- Filtration
- Auto pool cleaning
- Backwashing
- Water features
- Spa jet operation
- Solar pool heating

WHY CHOOSE THE Typhoon™ pool pump?

- Designed for durability and long life using corrosion resistant, UV stabilised materials
- Self priming pump for trouble-free operation and air handling
- Built in thermal overload protection, protects motor in the event of low voltage or jammed pump
- Strong performance and high flow provides optimum water circulation
- Stainless steel pump shaft suited for salt water pools
- Reinforced pump base keeps the motor high and dry for corrosion protection
- Large leaf basket handles large leaves and debris with ease
- Large clear leaf basket lid provides easy visual inspection of contents
- Barrel union connections for easy installation
- Range of sizes to suit domestic pools and solar applications

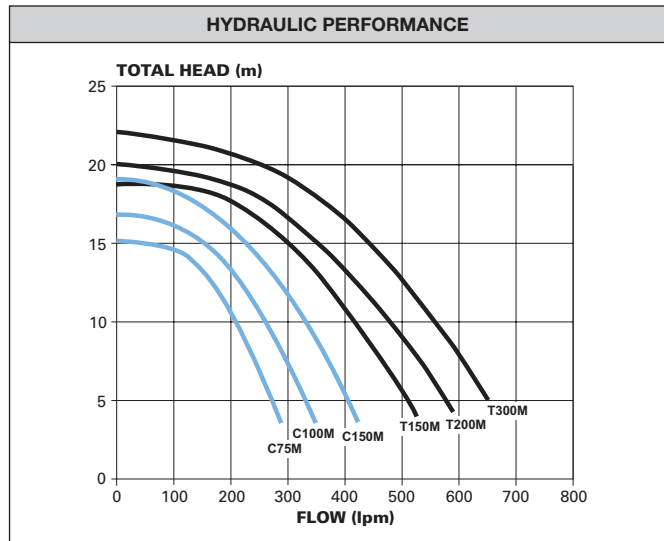




- Large, easy to remove, leaf basket cover for convenience and easy cleaning
- Carbon / Ceramic mechanical seal
- Stainless steel motor shaft for corrosion resistance in salt water pools
- Impeller made of glass-filled Noryl® for high abrasion resistance
- Corrosion resistant body, foot and diffuser from glass-filled polypropylene construction

ELECTRICAL DATA						
Model – Typhoon	C75M	C100M	C150M	T150M	T200M	T300M
Voltage (V)	220-250					
Supply Frequency / Phase	50Hz / 1					
Run Current (A)	5.0	5.8	6.6	7.9	9.2	10.8
Motor Input Power (W)/hp	1100/1.6	1200/1.9	1600/2	1900/2.5	2200/2.9	2800/3.5
Motor Output Power (W)/hp	550/0.7	750/1	1100/1.5	1100/1.5	1500/2	2200/2.9
RPM	2900					
Enclosure Class (IP)	55					
Insulation Class	F					
Approval No.	W2442					

OPERATING LIMITS	
Maximum water temperature	35°C
Maximum ambient temperature	50°C



DIMENSIONS (mm)									
Model	A	B	C	D	E	F	Inlet PVC	Outlet PVC	Net Weight (kg)
C75M	532	330	238	345	225	262	40 / 50	40 / 50	10.4
C100M									11.4
C150M									13.5
T150M	612	429	268	397	295	284			18
T200M									21
T300m 15A									23

