



Experts in water.

**DAVEY**

## APPLICATIONS

Ideal for most swimming pool applications such as:

- Inground swimming pools
- Above ground swimming pools
- Swimming pools up to 200,000 litres

## WHY CHOOSE THE EcoPure® Cartridge Filter?

- Compact, durable A.B.S. tank with UV resistance for long service life
- Easy access to cartridge element via heavy duty locking ring
- Quick connect 40mm A.B.S. barrel unions supplied for ease of installation
- Auto air bleed for removal of trapped air inside filter eliminating the need for manual bleeding
- No backwashing of filter required
- Quality pressure gauge makes it easy to see when element cleaning is required
- Cartridge element constructed of Du Pont Reemay – recognised for its excellent filtration and long life
- Suitable for all pools and spas, fresh or salt water



**DAVEY**  
**EcoPure®**

## High Performance Cartridge Filters

For maintaining a clean and safe swimming environment for your family's pool or spa with minimal water wastage.

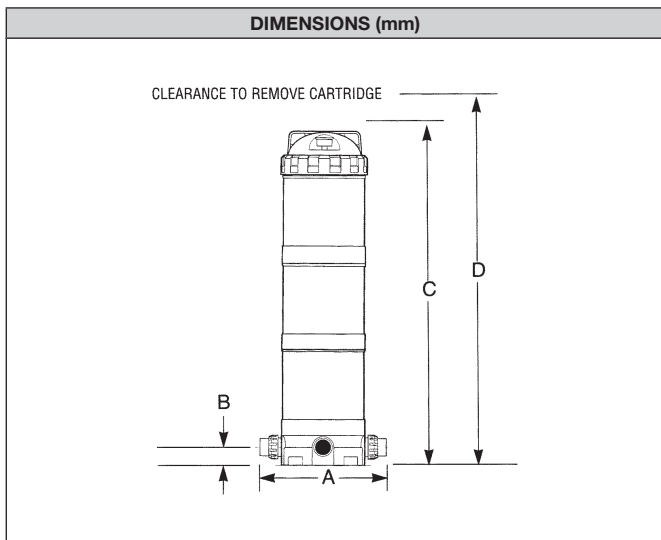




- Quality pressure gauge for monitoring of filtration performance.
- Automatic air bleed purges trapped air during filtration.
- High quality Du Pont polyester mesh with pleats for easy cleaning and long filtration cycles.
- A.B.S. tank construction is robust, UV resistant and corrosion resistant for long service life.
- A.B.S. barrell unions for quick connection and easy installation.

Model	Filtration Area (m <sup>2</sup> )	Filtration Area (ft <sup>2</sup> )	Maximum Flow Rate (lpm)	6 Hour Turnover* (litres)	8 Hour Turnover** (litres)
Q2203MN	9.29	100	400	144,000	192,000
Q2204MN	13.93	150	490	176,400	235,200

\*Figure based on 6 hour turnover @12.5m head.  
 \*\*Figure based on 8 hour turnover @12.5m head.



Model	A	B	C	D	Inlet PVC	Outlet PVC
EcoPure 100	410	50	715	1200	40/50*	40/50*
EcoPure 150	410	50	895	1555	40/50*	40/50*

\*40/50mm tail on unions allow connection of a DN40 PVC pipe or into the socket/collar of a DN50 PVC pipe.

OPERATING LIMITS	
Maximum water temperature	45°C
Maximum operating pressure	280kPa

Model	Replacement Filter Element
Q2203MN	Q2227
Q2204MN	Q2228